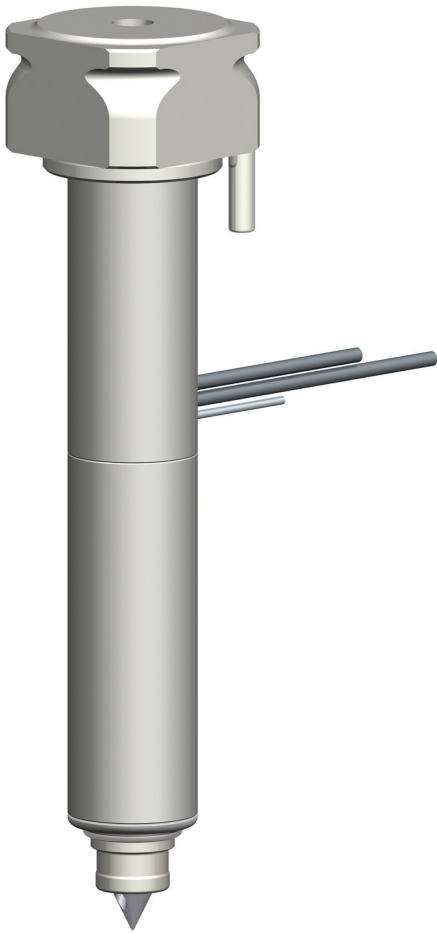


# MJ Nozzle Technology



## Overview and Applications

The MJ nozzle is ideal for the processing of small parts or where space is minimal. Designed for multi cavity hot half configurations the nozzle has optimised thermocouple and heater positioning to ensure precise temperature control and profile. A small gate pocket requirement allows injection into restricted areas while enabling superior cooling of the gate area, thus providing improved part quality and cycle times.

Its flexible front loading heater, thermocouple and tip design ensures any future maintenance requirements can be performed hassle free, helping you reduce machine downtime and costs.

## Features

### Mould Design

- Efficiently designed nozzle pocket profile for improved cooling performance and gate strength
- Optimum flow characteristics give ability to mould parts with ease
- Able to achieve close pitching due to efficient nozzle design

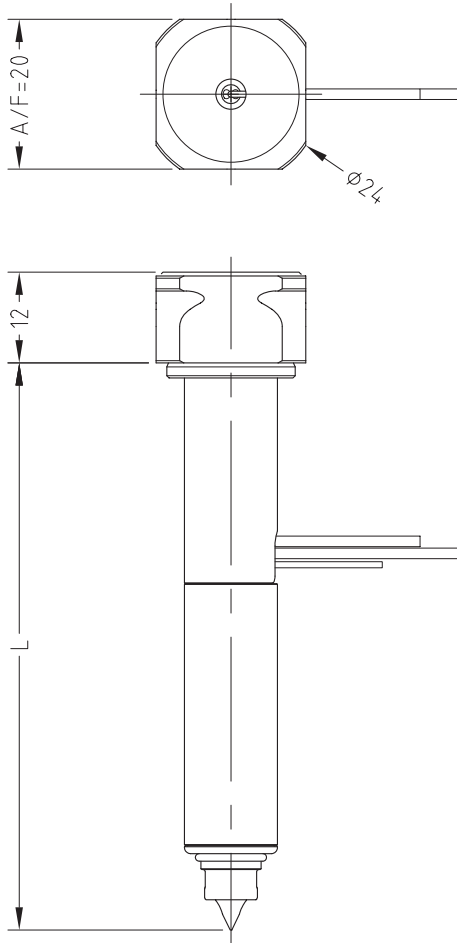
### Operation

- Wide moulding window
- Excellent temperature profile and thermal stability
- Operates at low moulding pressure and temperature
- Superior thermal insulation to improve cycle times

### Installation and Maintenance

- Simple installation requirements
- Default long life tip materials
- Frontloading capability for easy servicing
- Improved reliability due to the use of advanced materials

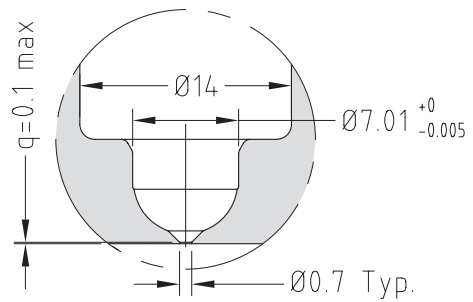




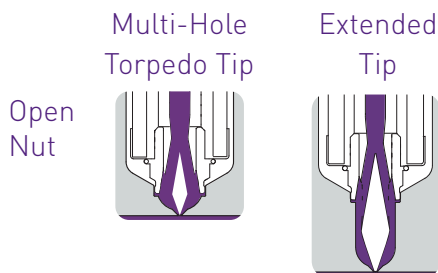
## Availability

MJ09 Series	
<b>L</b>	75
	95
	115
	130
	145
	175

All measurements are in millimeters



## Gating Options



### Mastip Head Office New Zealand

550 Rosebank Road  
Avondale, Auckland, New Zealand  
PO Box 90651, Victoria Street West,  
Auckland 1142, New Zealand  
Phone: +64 9 970 2100  
Fax: +64 9 970 2070  
Email: mastip@mastip.com

### Mastip Regional Office Europe

Phone: +33 4 724 72 800  
Fax: +33 4 724 72 801  
Email: europe@mastip.com

### Mastip Regional Office China

Phone: +86 21 644 77838  
Fax: +86 21 644 77828  
Email: china@mastip.com

### Mastip Regional Office North America

Phone: +1 262 644 9400  
Fax: +1 262 644 9402  
Email: northamerica@mastip.com

