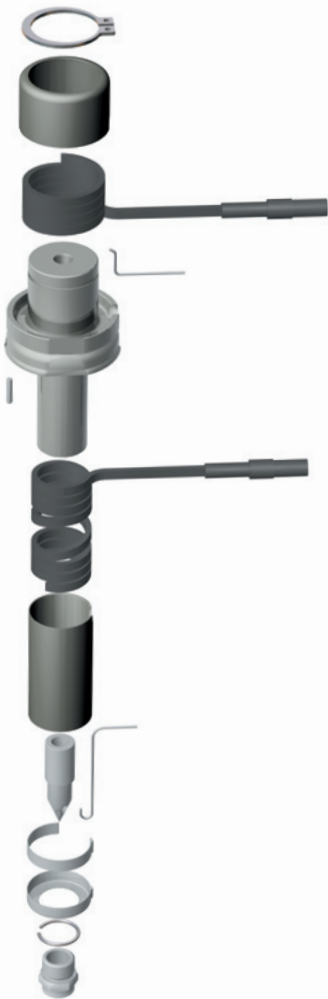


# SX Nozzle Technology



## Overview and Applications

With two heaters the SX nozzle is perfectly suited for all single nozzle applications. Independently controlled heater zones provide uniform temperature distribution along the length of the nozzle, making it ideal to process difficult plastics.

## Features

### Mould Design

- Ability to easily order special length nozzles
- Shares the same gate profiles as MX and BX
- Consistent nozzle lengths across the range
- Ability to mould large parts with smaller nozzles due to optimum flow characteristics

### Operation

- Separate heater for the nozzle head for maximum temperature control
- Wide moulding window
- Excellent temperature profile and thermal stability
- Operates at low moulding pressure and temperature
- Optimum cycle times due to superior thermal insulation
- Uses economical and robust coil heaters

### Installation and Maintenance

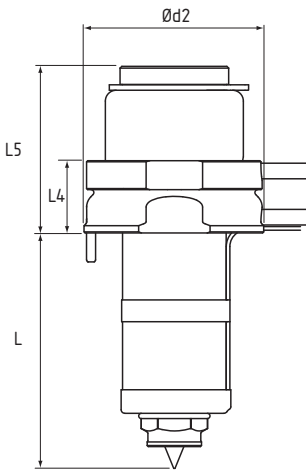
- Simple machining and installation requirements
- Improved reliability due to the use of advanced materials
- Common tip and nut options provide ready availability of spare parts



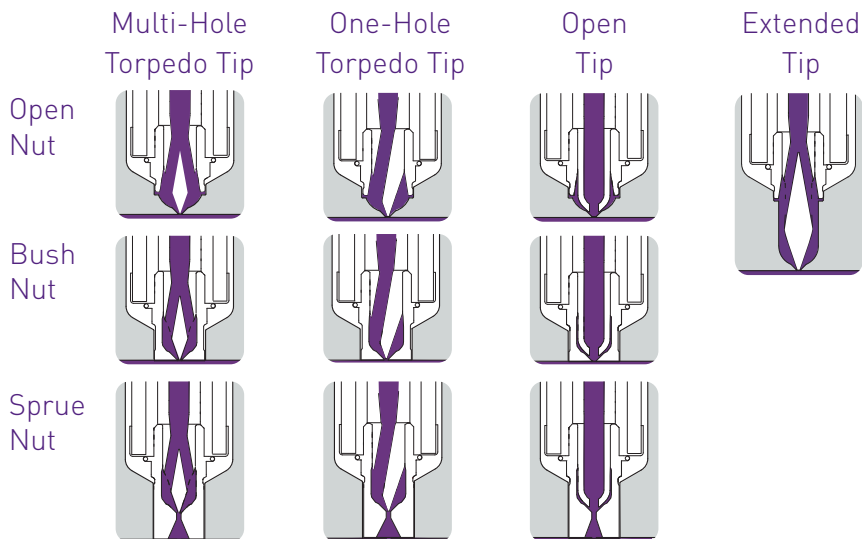
Availability

	13 Series	16 Series	19 Series	27 Series
<b>L</b>	45		—	
	55		—	
	65		—	
	75		—	
	95		—	
	115		—	
	—		145	
	—		175	
	—		225	
	—		275	
<b>L4</b>	18	20	25	
<b>L5</b>	44	46	50	
<b>d2</b>	40		50	

All measurements are in millimetres



Gating Options



**Mastip Head Office New Zealand**  
 550 Rosebank Road  
 Avondale, Auckland, New Zealand  
 PO Box 90651, Victoria Street West,  
 Auckland 1142, New Zealand  
 Phone: +64 9 970 2100  
 Fax: +64 9 970 2070  
 Email: mastip@mastip.com

**Mastip Regional Office Europe**  
 Phone: +33 4 724 72 800  
 Fax: +33 4 724 72 801  
 Email: europe@mastip.com

**Mastip Regional Office China**  
 Phone: +86 21 644 77838  
 Fax: +86 21 644 77828  
 Email: china@mastip.com

**Mastip Regional Office North America**  
 Phone: +1 262 644 9400  
 Fax: +1 262 644 9402  
 Email: northamerica@mastip.com